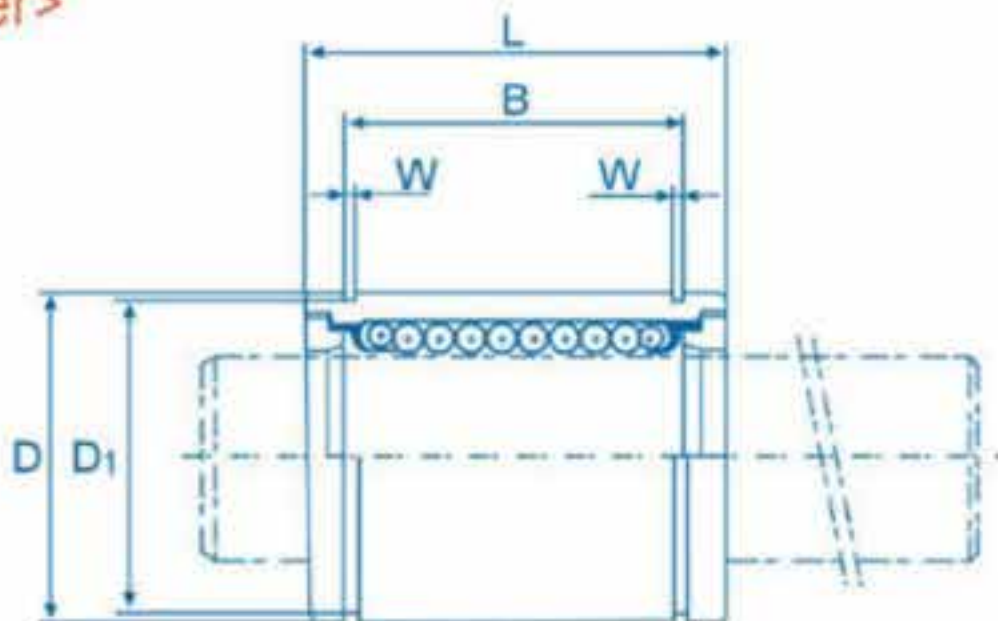


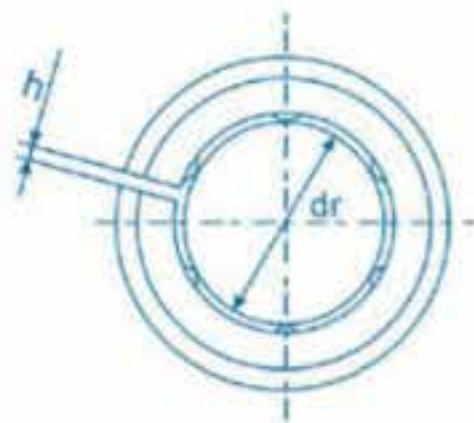
LM <Built-in Synthetics Resin Retainer>



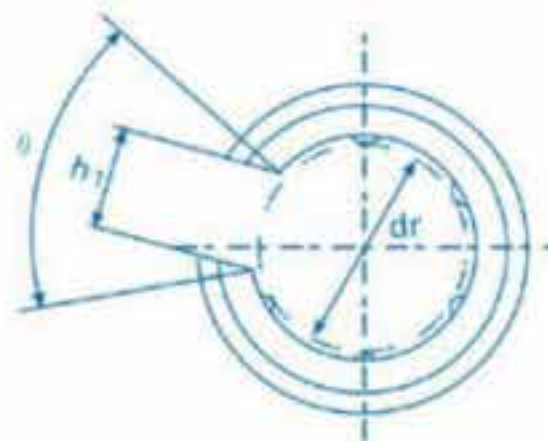
This type is a metric dimension series widely used in Japan and other countries



LM



LM · · · AJ



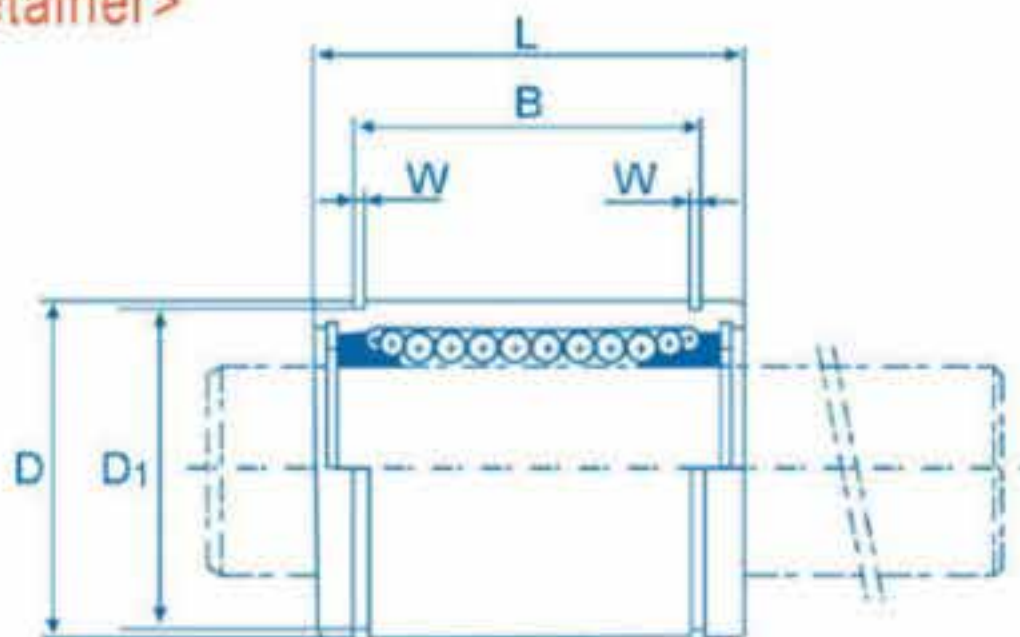
LM · · · OP

Nominal Part No.				Nominal Shaft Diameter (mm)	Major Dimensions and Tolerance (mm)										Eccentricity (max) μm	Radial Clearance (max) μm	Basic Load Rating CN CoN	Nominal Part No.
Standard Type	Ball Circuit Weight g	Adjustable Type	Open Type		Tolerance	D Tolerance	L Tolerance	B Tolerance	W	D ₁	H	H ₁	θ					
LM 5 LM5UU	4 4	—	—	5	10	15	10.2	1.1	9.6	—	—	—	8	-3	167 206	LM 5		
LM 6 LM6UU	4 8	LM 6-AJ	—	6	12	19	13.5	1.1	11.5	1	—	—	12	-5	200 260	LM 6		
LM 8 LM8UU	4 11	LM 8S-AJ	—	6	15	17	11.5	1.1	14.3	1	—	—	12	-5	170 220	LM 8S		
LM 8 LM8SUU	4 16	LM 8-AJ	—	8	15	24	17.5	1.1	14.3	1	—	—	12	-5	260 400	LM 8		
LM 10 LM10UU	4 30	LM 10-AJ	—	10	19	29	22	1.3	18	1	—	—	12	-5	370 540	LM 10		
LM 12 LM12UU	4 31.5	LM 12-AJ	LM 12-OP	12	21	30	23	1.3	20	1.5	8	80°	12	-5	410 590	LM 12		
LM 13 LM13UU	4 43	LM 13-AJ	LM 13-OP	13	23	32	23	1.3	22	1.5	9	80°	12	-5	500 770	LM 13		
LM 16 LM16UU	5 69	LM 16-AJ	LM 16-OP	16	28	37	26.5	1.6	27	1.5	11	60°	12	-7	770 1170	LM 16		
LM 20 LM20UU	5 87	LM 20-AJ	LM 20-OP	20	32	42	30.5	1.6	30.5	1.5	11	60°	12	-9	860 1370	LM 20		
LM 25 LM25UU	6 220	LM 25-AJ	LM 25-OP	25	40	59	41	1.85	38	2	12	50°	12	-9	980 1560	LM 25		
LM 30 LM30UU	6 250	LM 30-AJ	LM 30-OP	30	45	64	44.5	1.85	43	2.5	15	50°	15	-9	1560 2740	LM 30		
LM 35 LM35UU	6 390	LM 35-AJ	LM 35-OP	35	52	70	49.5	2.1	49	2.5	17	50°	20	-13	1660 3130	LM 35		
LM 40 LM40UU	6 585	LM 40-AJ	LM 40-OP	40	60	80	60.5	2.1	57	3	20	50°	20	-13	2150 4010	LM 40		
LM 50 LM50UU	6 1580	LM 50-AJ	LM 50-OP	50	80	100	74	2.6	76.5	3	25	50°	20	-13	3820 7930	LM 50		
LM 60 LM60UU	6 2000	LM 60-AJ	LM 60-OP	60	90	110	85	3.15	86.5	3	30	50°	25	-13	4700 9990	LM 60		

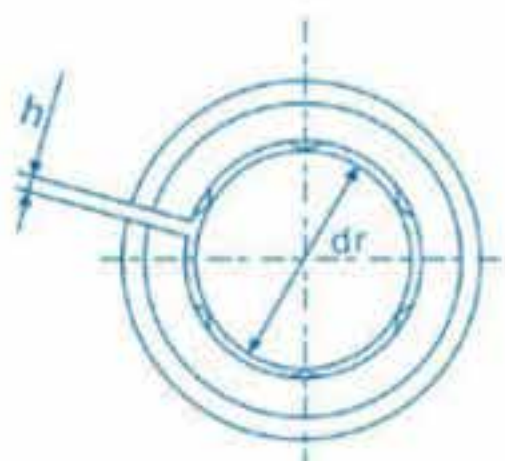
LME <Built-in Synthetic Resin Retainer>



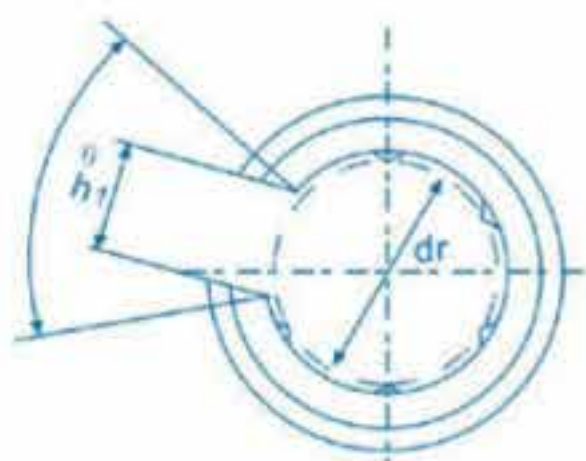
This type is a metric dimension series generally used in Europe.



LME



LME...AJ



LME...OP

Nominal Part No.				Nominal Shaft Diameter (mm)	Major Dimensions and Tolerance (mm)										Eccentricity (max) μm	Radial Clearance (max) μm	Basic Load Rating CN CoN	Nominal Part No.
Standard Type	Ball Circuit	Adjustable Type	Open Type	Tolerance	D Tolerance	L Tolerance	B Tolerance	W	D ₁	H	H ₁	θ						
Seal Type	Weight g																	
LME5 LME5UU	3 11	LME 5-AJ	LME	5	12	22	14.5	1.1	11.5	1		78°	12	-5	200	LME5		
LME8 LME8UU	4 20	LME 8-AJ	LME	8	16	25	16.5	1.1	15.2	1		78°	12	-5	260	LME8		
LME12 LME12UU	4 41	LME12-AJ	LME 12-OP	12	22	32	22.9	1.3	21	1.5	7.5	78°	12	-7	260	LME12		
															400			
															410			
															590			
LME16 LME16UU	5 65	LME 16-AJ	LME	16	26	36	24.9	1.3	24.9	1.5	10	78°	12	-7	770	LME16		
LME20 LME20UU	5 91	LME 20-AJ	16-OP	20	32	45	31.5	1.6	30.3	2	10	60°	15	-9	1170	LME20		
LME25 LME25UU	6 215	LME 25-AJ	OP	25	40	58	44.1	1.85	37.5	2	12.5	60°	15	-9	860	LME25		
			LME 20-OP												1370			
			LME 25-OP												980			
															1560			
LME30 LME30UU	6 325	LME 30-AJ	LME	30	47	68	52.1	1.85	44.5	2	12.5	50°	15	-9	1560	LME30		
LME40 LME40UU	6 705	LME 40-AJ	30-OP	40	62	80	60.6	2.15	59	3	16.8	50°	17	-13	2740	LME40		
LME50 LME50UU	6 1130	LME 50-AJ	OP	50	75	100	77.6	2.65	72	3	21	50°	17	-13	2150	LME50		
			LME 40-OP												4010			
			LME 50-OP												3820			
															7930			
LM60 LME60UU	6 2220	LME 60-AJ	LME 60-OP	60	90	125	101.7	3.15	86.5	3	27.2	54°	20	-16	4700	LME60		
															9990			